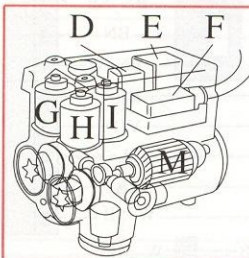
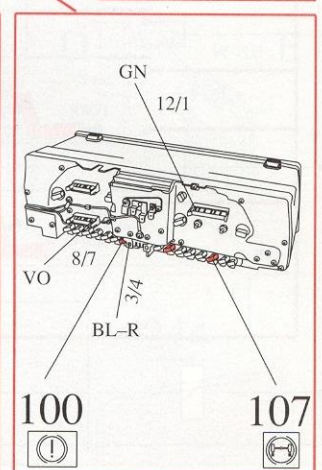
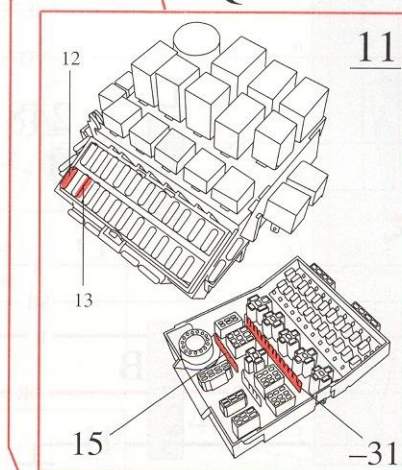
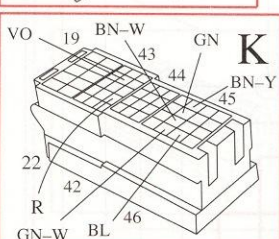
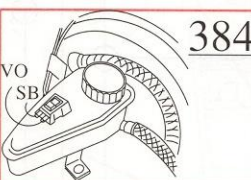
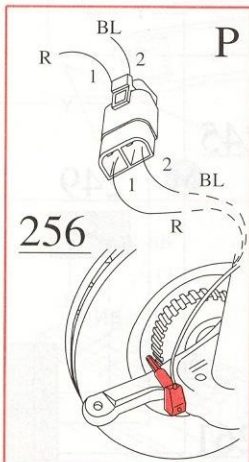
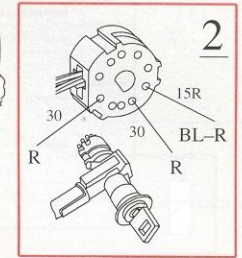
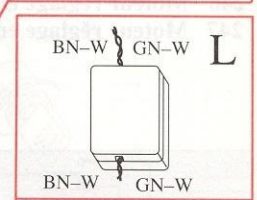
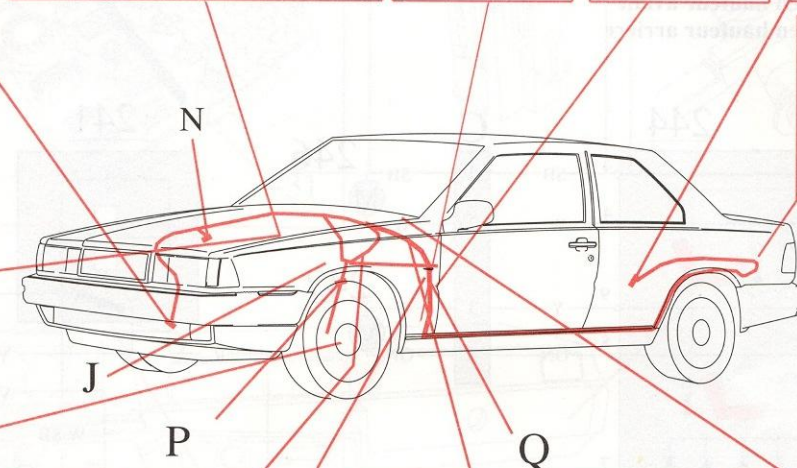
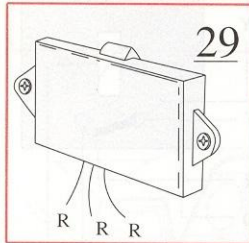
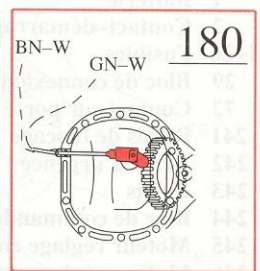
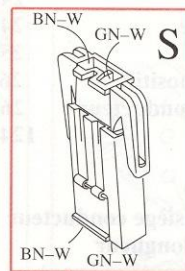
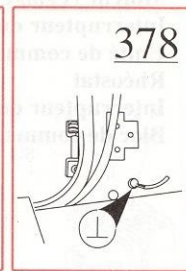
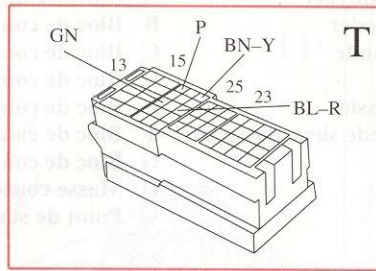
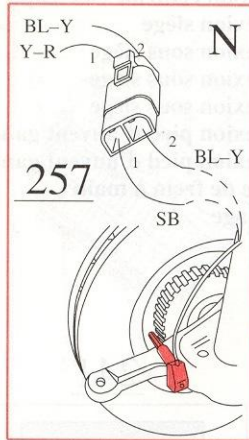
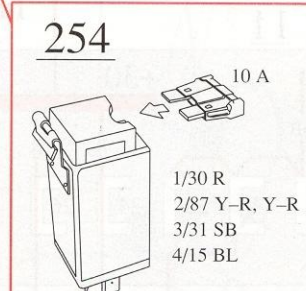
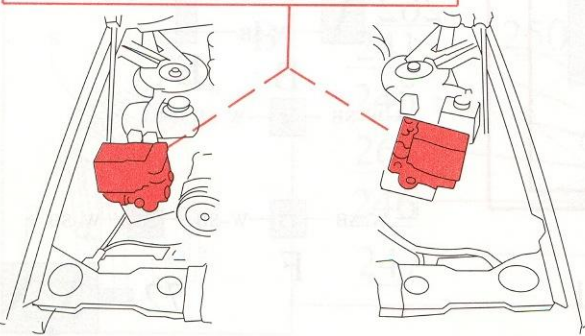


# Systeme de freinage ABS



- 253**
- |        |        |
|--------|--------|
| 1 OR   | 7 GN   |
| 2 GR-R | 8 SB   |
| 3 GN-Y | 9 GN-R |
| 4 BL-W | 10 Y-R |
| 5 Y-SB | 11 R-W |
| 6 R    | 12 R   |



- 252**
- |         |         |
|---------|---------|
| 1 Y-R   | 20 SB   |
| 2 OR    | 21 BL-Y |
| 4 BL    | 25 BN-Y |
| 6 R     | 27 GR-R |
| 7 GN-W  | 28 R-W  |
| 9 BN-W  | 29 GN   |
| 10 SB   | 32 BL-W |
| 11 Y-R  | 34 SB   |
| 14 GN-R | 35 GN-Y |
| 15 P    |         |
| 18 Y-SB |         |

