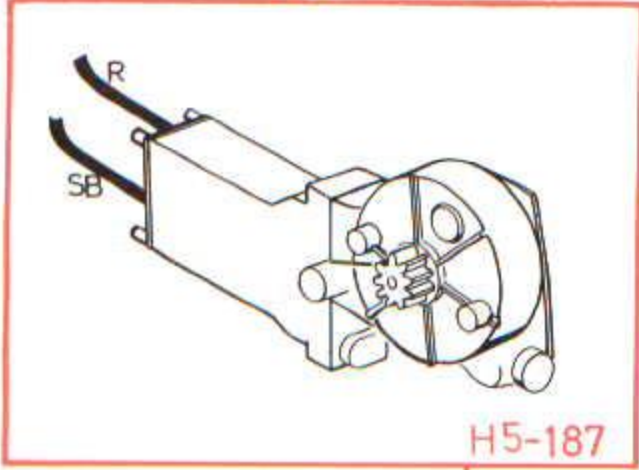
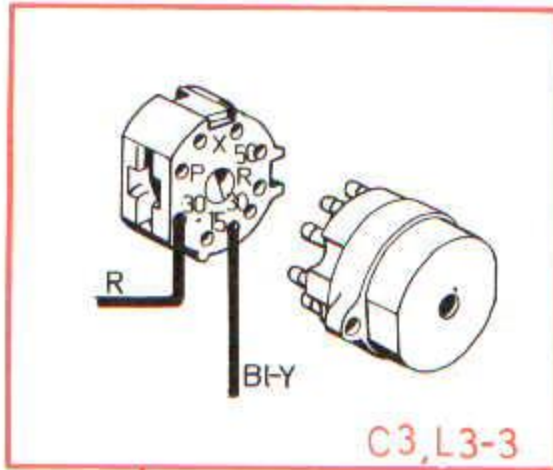


# Raammechanismen, 2-deurs modellen

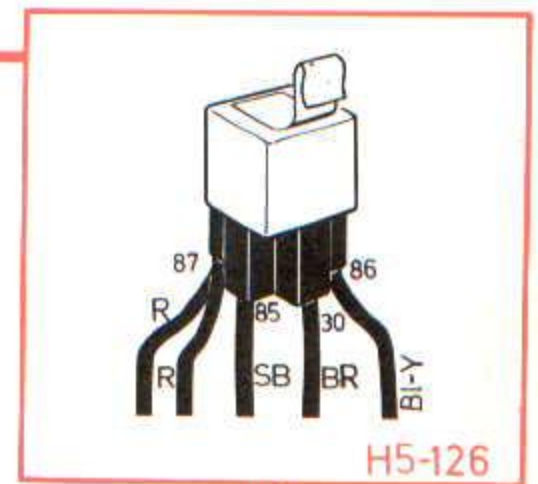
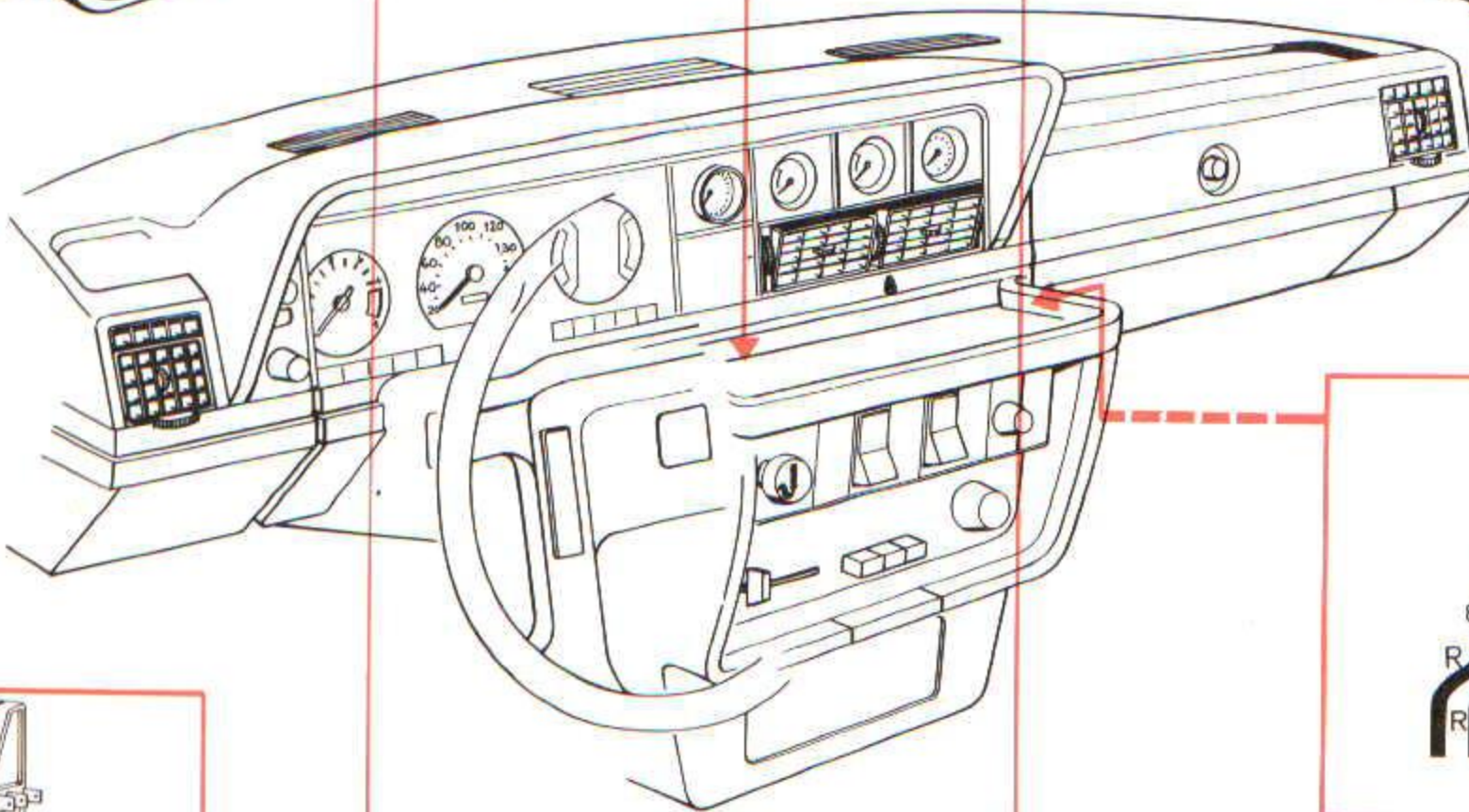
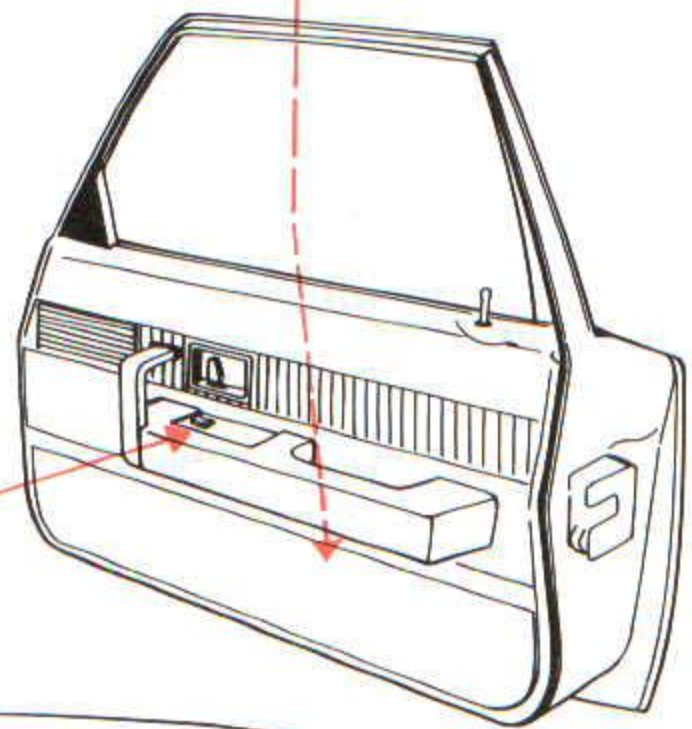
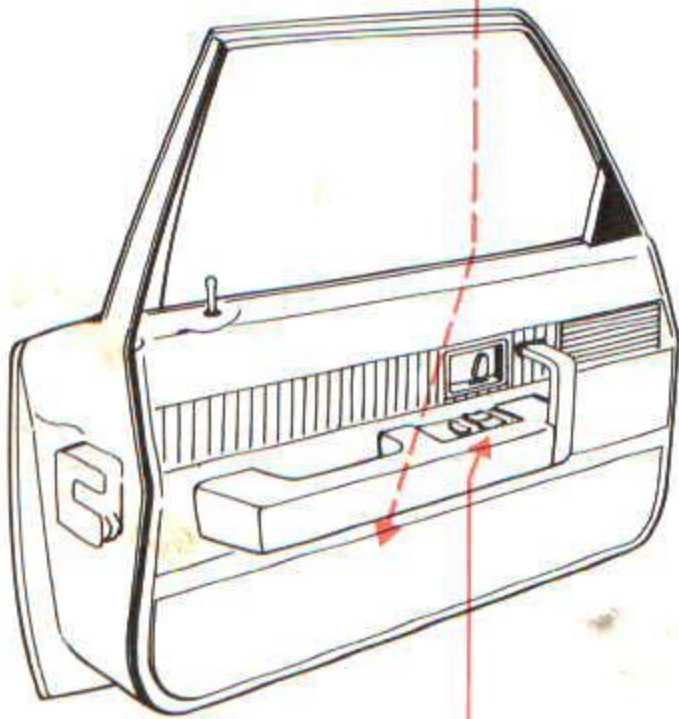
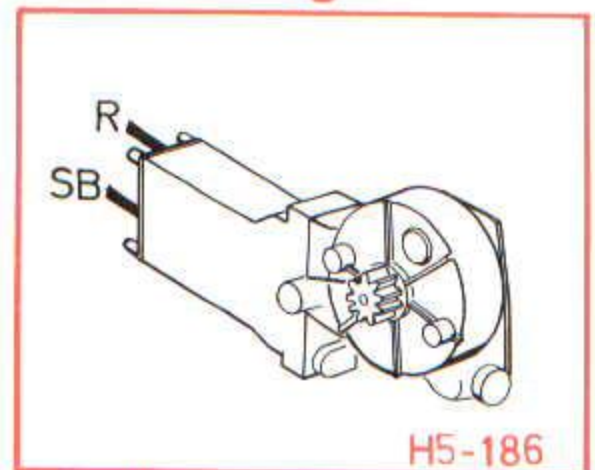
A



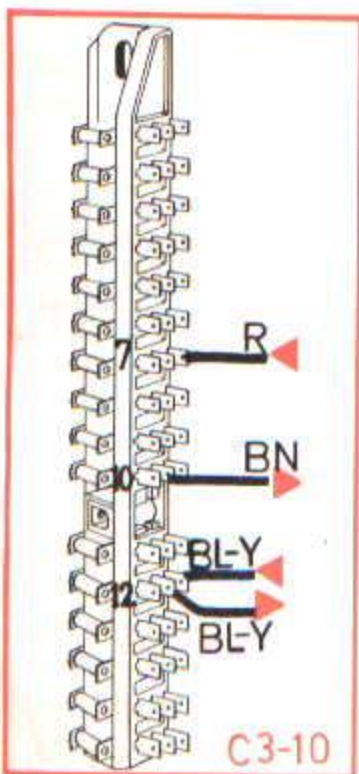
B



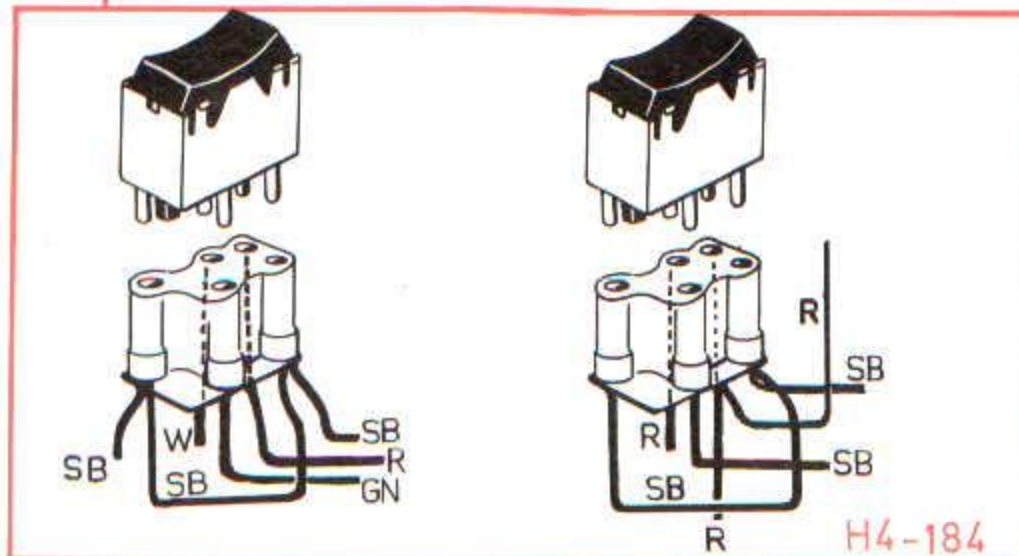
C



H

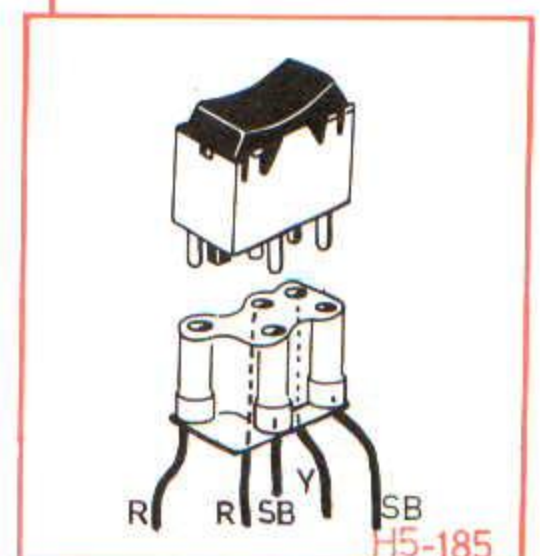


D



E

F



G

131 708-H